

DACOR

MANUFACTURING, LLC.



Model 5R5211



Model 4R4211

MODELS 5R5211/4R4211 MOTORIZED BLOOD DONOR CHAIRS

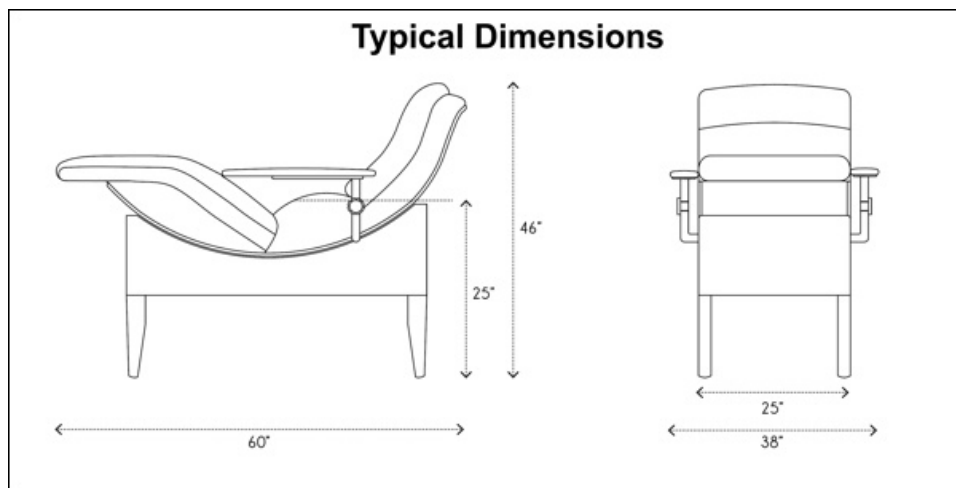
FEATURES:

- Dacor Donor Chairs are popularly used for blood banks, apheresis and plasma centers, infusion, hospitals, clinics and PET scans.
- Hand crafted, custom built to order.
- All hardwood frame construction
- Premium rated foam, cushions and spring components providing comfort for long procedures.
- High quality contract grade vinyl upholstery with patented antimicrobial/antibacterial coating to prevent from growths and stains. Easy to disinfect for patient safety.
- Large selection of standard vinyl colors to choose from.
- All upholstery materials meet the necessary USA fire codes.
- Fully adjustable chair positioning actuator to adjust head-high foot-low or head-low foot-high for comfort.
- Manually adjustable left and right arm rests.
- Optional storage shelf, DVD tray, 4-way locking casters, maple legs and protective head and foot covers.
- All exposed metal parts are chrome plated for easy cleaning and durability.
- All chairs are available in manual style adjustment.

MODELS 5R5211/4R4211 MOTORIZED BLOOD DONOR CHAIRS

SPECIFICATIONS:

- Meets all current CE and UL listing certifications
- 220 Volt / 50 Hz / .9 AMP and 115 Volt / 60 Hz / 1.6 AMP Motors
- Weight capacity maximum 350lbs.



Manufactured By:
Dacor Manufacturing
8718 Hanover Industrial Dr.
Columbia, IL 62236 U.S.A

220 VAC 50Hz .9 AMP

Danger-Explosion Hazard. Do not repair in the presence of Flammable anesthetics.

Warning - Disconnect supply before servicing.

Warning - There are pinch/crush points created by the travel of the chair.

Code: 4R4213

Code: 5R5213



Manufactured by
Dacor Manufacturing Co.
Columbia, IL 62236 U.S.A.

115 VAC 60Hz 200W 1.6 AMPS

Danger - Explosion Hazard, Do not use in the presence of Flammable anesthetics.

Warning - Disconnect supply before servicing.

Mfg. Date:

Serial #

Code: 4R4211



Code: 5R5211

8718 Hanover Industrial Dr. Columbia, IL 62236 USA

PH: (618) 939-8700 FX: (618) 939-8898

www.dacormfg.com